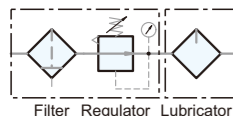
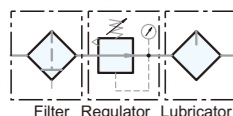


# Miniature F.R.L Combination

Filter + Regulator + Lubricator & Filter Regulator + Lubricator

## Symbol



## Features

1. Remove water and particle effectively.
2. Compact size with effective air service.
3. 40µm and 5µm filter element are easily interchangeable and replaceable.
4. Accurate and easy pressure setting.
5. Oil spray in mist ensures good lubrication for machines.
6. Strict quality control offers product stable quality and long life.



Miniature FRL A type patent  
Patent number in Taiwan: 1888494  
Patent number in the US.: US6.733.044  
Patent number in China: 538716

\*Lubricator oil (Recommended): ISO-VG32

## How to order

FRL700A	—	O2	N	C	H	A	K
Miniature Filter+Regulator+Lubricator	Port size	Thread	Filtration	Drain	Bowl	Bowl guard	
<b>FRL700A</b> : 0.5~9.9kgf/cm <sup>2</sup>	<b>O1</b> : 1/8"(option)	<b>Blank</b> :G	<b>PE</b>	<b>Blank</b> :Semi-auto drain	<b>Blank</b> :Standard bowl	<b>Blank</b> :W/O guard	
<b>FRL700AL4</b> : 0.5~4kgf/cm <sup>2</sup>	<b>O2</b> : 1/4"	<b>N</b> :NPT	<b>Blank</b> :5µm	<b>H</b> :Manual drain	<b>A</b> :Anti-acid & alkali bowl	<b>K</b> :W/I guard	
<b>FRL700AL2</b> : 0.5~2kgf/cm <sup>2</sup>		<b>R</b> :Rc	<b>C</b> :40µm	<b>D</b> :Auto drain			
Miniature Filter Regulator+Lubricator			Sintered brass				
<b>FRL600A</b> : 0.5~9.9kgf/cm <sup>2</sup>			<b>S</b> :5µm				
<b>FRL600AL4</b> : 0.5~4kgf/cm <sup>2</sup>			<b>T</b> :40µm				
<b>FRL600AL2</b> : 0.5~2kgf/cm <sup>2</sup>							

Please contact our sales for non-relieving type.

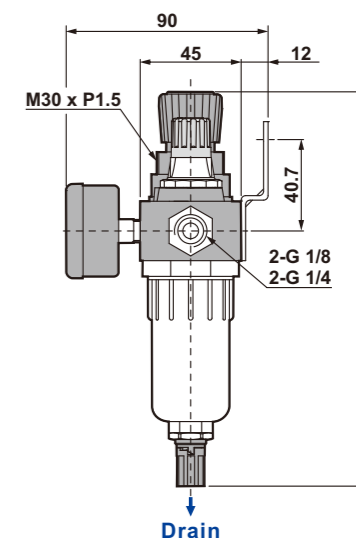
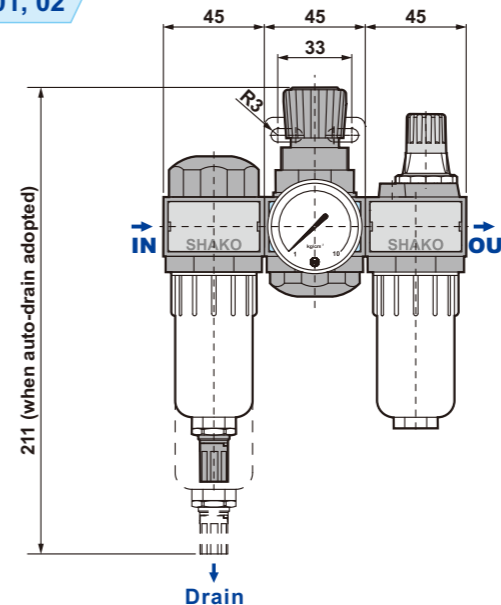
\*For non-relieving type, the secondary pressure is not allowed to be exhausted when it is higher than setting pressure.

## Specifications

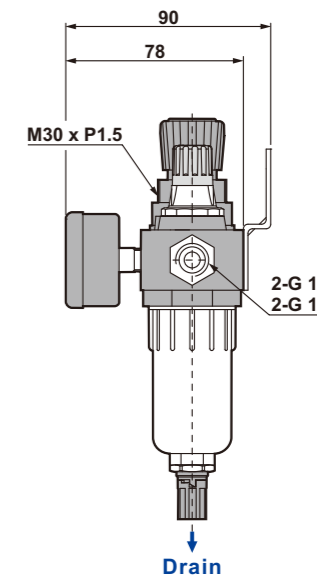
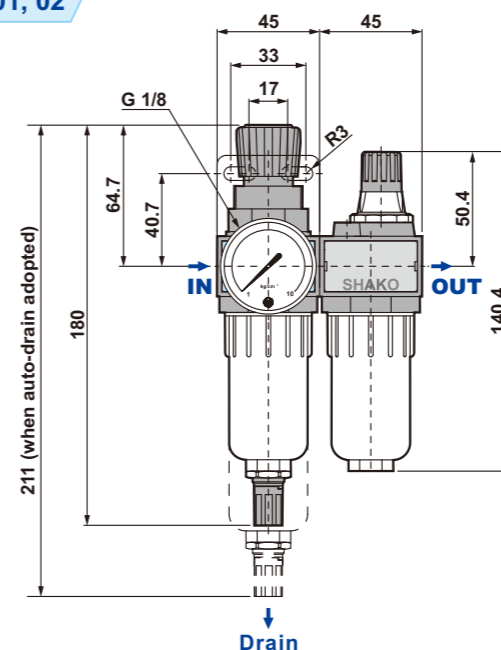
Model	FRL700A-01	FRL700A-02	FRL600A-01	FRL600A-02
Port size	1/8" (option)	1/4"	1/8" (option)	1/4"
Fluid	Compressed air			
Regulator construction	Diaphragm			
Body material	Polycarbonate			
Bowl material	Polycarbonate (Standard)			
Filtration	PE: 5µm (Standard), 40µm (Option); Sintered brass(Option):5µm, 40µm			
Operating pressure range	0.5 ~ 9.9 kgf/cm <sup>2</sup> (L4:4.0 kgf/cm <sup>2</sup> , L2:2.0 kgf/cm <sup>2</sup> )			
Max. inlet pressure	12 kgf/cm <sup>2</sup>			
Max. flow rate l/min (ANR)	1850		1650	1850
Ambient temperature	-10°C ~ 60°C			
Filter bowl capacity	35cc			
Lubricator bowl capacity	50cc			
Standard drain	Semi-auto drain (Drains below 0.5kgf/cm <sup>2</sup> )			
Net weight	810g		560g	
Accessories	Pressure gauge, Mounting bracket set, Plug			

## Dimensions

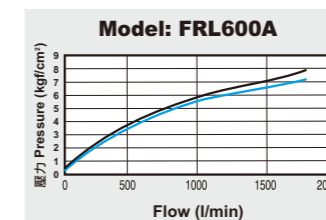
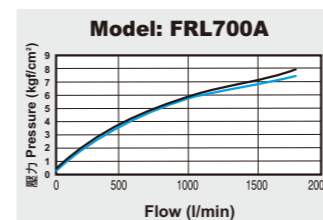
### FRL700A-01, O2



### FRL600A-01, O2



## Flow chart



### Note:

X axis: Flow (l/min)

Y axis: Pressure (kgf/cm<sup>2</sup>)

Blue line (P0) = Outlet pressure

Black line (P1) = Inlet pressure

P1-P0=Pressure range